



## agWEIGHr Series - Datasheet



### agWEIGHr-R320

- 20mm (0.8in) LCD display with LED backlight
- Tough, compact dust and waterproof ABS housing
- Stainless steel bracket for flexible mounting
- Animal weighing connected to agWEIGHr load bars



### agWEIGHr-X320

- Dust, rain, hail, flood, urea, impact resistant and high pressure hose down proof composite alloy housing
- Simple operation and user friendly for first time users
- Universal stand suitable for mounting on a desk, wall, post, pole, stump or even on machinery
- Capacitive keys, no worn out or sticking keys, no buttons to fail
- Animal weighing connected to agWEIGHr load bars



### agWEIGHr Load Bars

- Stainless steel frame and load cell
- Range of sizes from 600mm (24in) through to 1000mm (40in)
- Capacities of 2t with excellent load sensitivity
- Mounting holes on feet extend beyond top covers to simplify bolting down
- Waterproof M12 quick connectors for hassle free connections connect directly to R320 or X320
- Extendable, replaceable and removable cables



## agWEIGHr Selection Guides

### Load Bar Selection Guide

Application	AG-6010-2t	AG-8010-2t	AG-10010-2t
Fleece	x		
Sheep in a drafter	x		
Cattle in a race	x		
Cattle in a crush			x
Pallets	x	x	x

### Indicator Selection Guide – Livestock

		R320	X320
<b>Hardware</b>			
<b>Live Animal weighing</b>	Live weight calculation of animals	x	X
<b>Power</b>		12 VDC	12 VDC or 90-260 VAC
<b>Environmental</b>		IP65	IP68/IP69K
<b>Drafting</b>			
<b>Live Weight Drafting</b>	Draft animals by live weight	3 band	3 band
<b>Current Draft Statistics</b>	Total Weight Average Weight Number of head	x	x
<b>Sessions</b>			
<b>Current Session statistics</b>	Total Weight Average Weight Number of head	x	x
<b>Optical Data Interface</b>			
<b>Firmware Upgrade</b>	Field upgradable	x	x



### agWEIGHr Series Specification Table

Load Bar	
Capacity	2t
Materials	304 Stainless Steel
IP Rating	IP65
Cable Length	6m (20foot)
Length	600mm (24in), 800mm (32in), 1000mm (40in)
agWEIGHr R320	
Display	LED Backlit LCD with six 20mm (0.8in) high digits with units and annunciators
Operating Environment	Temperature: -10° to +50C ambient (14° to 122° F) Humidity: <90% non-condensing
Environmental Rating	IP65
Materials	ABS Housing, Stainless Steel Stand
Stand	Stainless steel stand included
Power	12 VDC ON/OFF key with memory feature
Features	Livestock weighing, Drafting, Unit Switching
agWEIGHr X320	
Display	LED Backlit LCD with six 20mm (0.8in) high digits with units and annunciators
Ambient Temp	-Temperature: -10° to +50C ambient (14° to 122° F) Humidity: <90% non-condensing
Environmental Rating	IP68/IP69K
Materials	PC + Polyester alloy, PBT Housing, Stainless Steel Stand
Power	12 VDC or 90-260 VAC ON/OFF key with memory feature
Features	Livestock weighing, Drafting, Unit Switching

Specifications may change at any time without notice.



**Dimensions - Load bars**

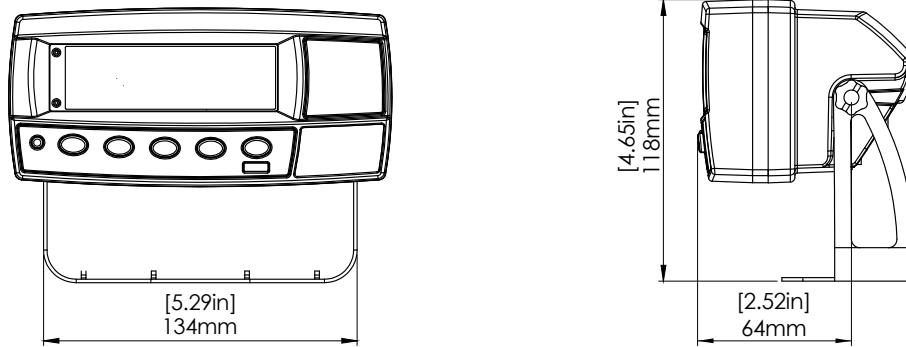


	<b>6010</b>	<b>8010</b>	<b>10010</b>
<b>A</b>	600 (24in)	800 (32in)	1000 (40in)
<b>B</b>	570 (22in)	761 (30in)	970 (38in)
<b>C</b>	546 (21in)	746 (29in)	946 (37in)
<b>D</b>	486 (19in)	686 (27in)	886 (35in)



**Dimensions - Indicators**

AG-R320



AG-X320-DC and AG-X320-AC3

