



- Dust, rain, hail, flood, urea, impact resistant and high pressure hose down proof composite alloy housing.
- Universal stand suitable for mounting on a desk, wall, post, or even on machinery.
- Capacitive keys, no worn out or sticking keys, no buttons to fail.
- Animal weighing connected to agWEIGHr load bars
- Option: EID compatible, 10,000 records

## agWEIGHr X320

The agWEIGHr X320 indicator combines innovation in industrial design and engineering excellence to create an instrument that reliably operates in harsh environments. Constructed of a high tech plastic alloy that is:

- Food grade, Chemical resistant
- Temperature resistant, Impact resistant

What makes this housing exceptional? - sealed and tough

- Double O ring to seal the outer housing
- Single piece front panel to protect the display and avoid leaks
- Capacitive keys with no moving parts
- No glued membrane to fail, no traditional keypad to damage.

Rinstrum liveweigh: The liveweigh algorithm used in our instrumentation has been refined over many years in a variety of applications including cattle and sheep drafting and veterinary scales.

Modes: Manual and automatic modes allow for flexibility depending on the application. Static weighing is achieved by simply using manual mode. Animal weight can be captured either in manual mode by using the WEIGH key or if in automatic mode the live weight is automatically captured.

Drafting: Automatic 3 band drafting is provided standard. Draft targets are easily set with a long press of the DRAFT key. Super bright red and green LED arrows show the operator to which band the animal has been allocated, allowing them to be manually drafted (or drive an output directly for auto drafting in the X320-AUTO).



Draft Statistics: The operator can scroll through the draft statistics for the session on screen:

- Total Weight
- Average Weight
- Number of head

Auto Ranging and easy setup:

The X320 is easily setup with a choice of factory calibrated agWEIGHr weigh bars or it can be configured to use any third party weigh bars by selecting the "OTHER" option in the scale setup. The unit automatically ranges to the best resolution for any given load (0.05kg through to 5kg increments at 2t).

The superior performance of the instrumentation removes the need for a separate high resolution mode.

M12 Connectors for simple install and maintenance:

The X320 is provided with an M12 fly lead for direct connection to the agWEIGHr load bars. All agWEIGHr cabling can be disconnected at both ends. This allows for cable extensions to be fitted or individual cables to be replaced immediately in the field.

Electronic ID:

The X320-EID and X320-AUTO versions are EID compatible for use with a Bluetooth wand that allows for individual animals to be identified by EID tag. Up to 10,000 individual animal results can be stored in the indicator for download to a PC or tablet - individual files for each Session.

Profiles to define operations:

A profile allows you to define a list of possible results for an operation to be conducted during the session. Examples include pregnancy testing, vaccinations, condition scoring, tick control etc. Up to 20 profiles can be defined with a single operation each.

Example: Pregnancy testing – define profile PREG. The range of results might be 0/3/6 (Months). When a new session is started the operator could choose the PREG profile and from then on the operator is prompted to select 0, 3 or 6 for each animal processed in the session.

The record log for each animal will then be:

Session "PREG" - Date/Time, EID#, Weight, {0, 3 or 6}

Example: Vaccination - A vaccination operation may need to record a basic yes/no.

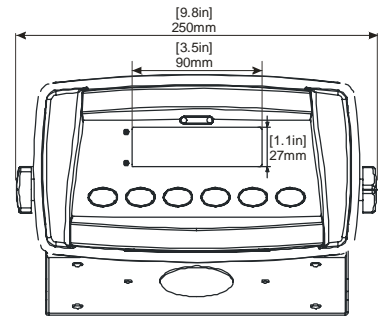
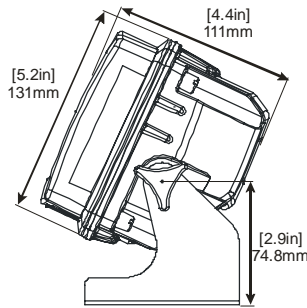
The record for the animal will then be:

Session "VACC" - Date/Time, EID#, Weight, {Y or N}



## Specification

Approvals	FCC, CE, C-tick
Operating Environment	Temperature: -10° to +50C ambient (14° to 122° F) Humidity: <90% non-condensing IP68/IP69K
Display	LED Backlit LCD with six 20mm (0.8") high digits
Power	12 Vdc - ON/OFF key
Materials	PC + Polyester alloy, PBT Housing, Stainless Steel Stand
Packing Weight	2kg (4.4lb)
Battery Backed Clock Calendar	Battery life 10 years minimum
Functions	Live Animal Weighing, Unit switching
Modes	Manual Mode: Static Weighing /Manual Animal Weighing Automatic Mode: Automatic Animal Weighing
Auto-ranging Min and Max Capacity Depends on Load Bars	Weight 0..25kg Resolution 0.05kg Through to Weight 1000...2500kg Resolution 5kg
Drafting	
Live Weight Drafting	3 bands
Current Draft Statistics	Total Weight / Average Weight / Number of head
Draft Outputs (X320-AUTO only)	3 Outputs to drive drafting gates or indication ( max 400mA each at 12-24VDC)
Sessions	X320-EID and X320-AUTO
Individual animal results	10,000
Session Capacity	Individual files for each session. Sessions limited only to the total number of records.
Session Profiles	20 Session Profiles define operation data 1 Operation Data field per Profile
Connectivity	X320-EID and X320-AUTO
Bluetooth	Wireless EID
RS232 Comms	Transmit data to remote display, printer or remote computer system
Optical Data Interface (rinLINK)	X320-EID and X320-AUTO
PC Interface Android App	Download data files from indicator to PC Transfer data from yards to Android tablet



Specifications are subject to variation for improvement without notice. Illustrations are indications only and variation may be evident between products

**Part Numbers:**

AG-X320: Liveweight Drafting X320

AG-X320-EID: EID

AG-X320-AUTO: EID, Auto Drafting, RS232

**Connect to:**

- agWEIGHr weigh beams
- agWEIGHr weighing assemblies

**Distributed By:**